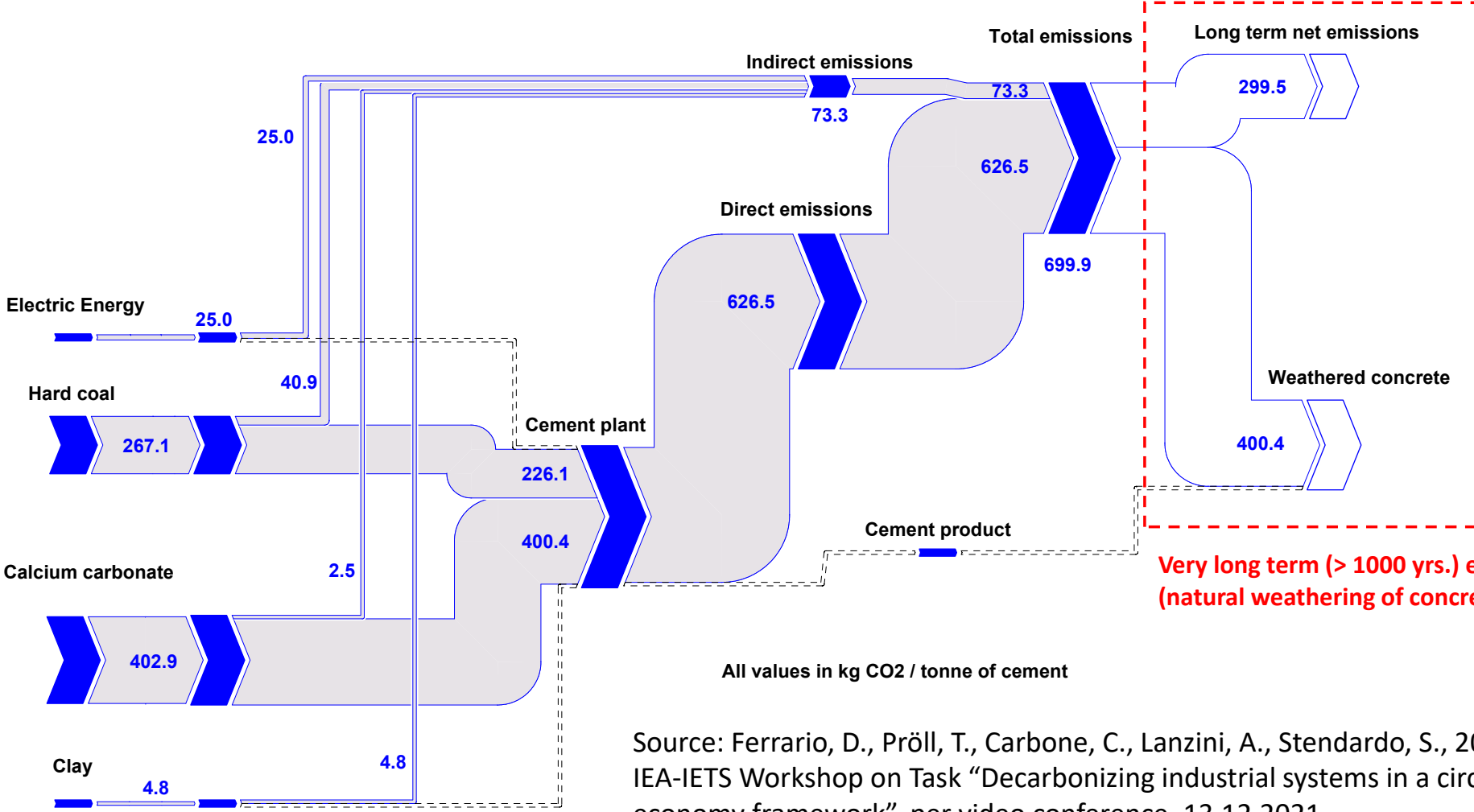


# Carbon flows through coal-fired cement process

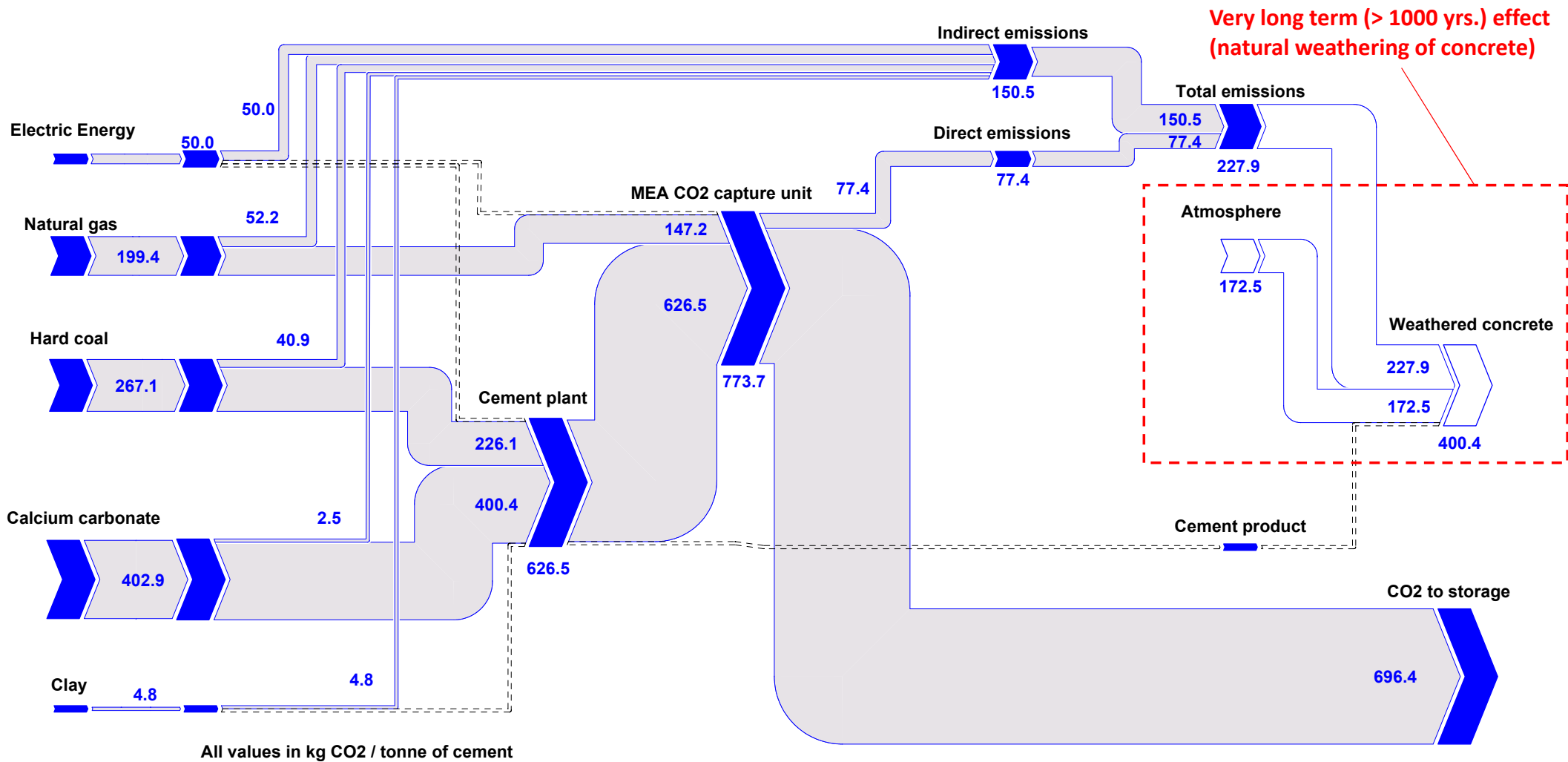


All values in kg CO<sub>2</sub> / tonne of cement

Very long term (> 1000 yrs.) effect (natural weathering of concrete)

Source: Ferrario, D., Pröll, T., Carbone, C., Lanzini, A., Stendardo, S., 2021, IEA-IETS Workshop on Task “Decarbonizing industrial systems in a circular economy framework”, per video conference, 13.12.2021.

# Carbon flows through coal-fired cement process with natural gas powered MEA scrubbing for post combustion CO<sub>2</sub> capture



Source: Ferrario, D., Pröll, T., Carbone, C., Lanzini, A., Stendardo, S., 13.12.2021.